




# Eclipse Veri-Flame Single Burner Monitoring System

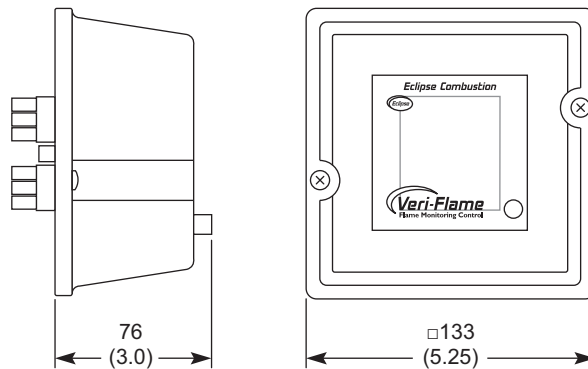
Model 5600

Version 1

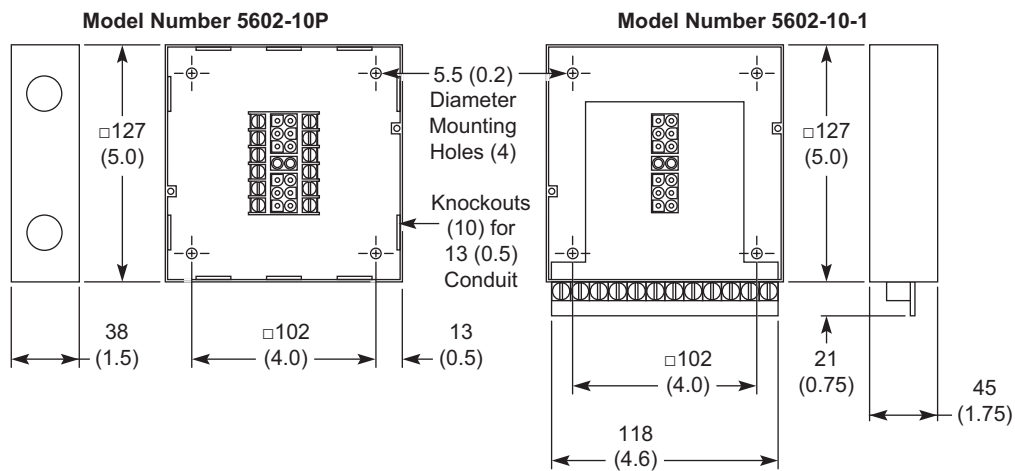
Parameter	Specification			
<b>Supply</b>	Series 5602 & 5605: 120 VAC (+10%, -15%), 50/60 Hz standard Series 5603: 240 VAC (+10%, -15%), 50/60 Hz standard Internal power consumption: 12 VA (excluding external connected loads)			
<b>Temperature Ranges</b>	<b>Unit</b>	<b>Model Number</b>	<b>Temperature Range</b>	
	Veri-Flame	All Models	-40 to 140°F (-40 to 60°C)	
	90 UV Scanner	5600-90A	0 to 140°F (-20 to 60°C)	
	NEMA4 UV Scanner	5600-91	0 to 257°F (-20 to 125°C)	
	Self-Check UV	5602-91	0 to 140°F (-20 to 60°C)	
	Remote Display	5602DBP	32 to 122°F (0 to 50°C)	
<b>Flame Failure Response</b>	3 seconds +/- 0.5 seconds			
<b>Trial for Ignition (TFI)</b>	No Purge & Purge Models: Series 5602 and 5603: 5 or 10 seconds selectable. Series 5605: 10 or 15 seconds selectable. Modulating Model: 5 or 10 seconds selectable.			
<b>Pilot Interrupt (if selected)</b>	10 seconds			
<b>Purge Time</b>	Selectable from 0 - 255 seconds in 15 second increments			
<b>Output ratings for 120 VAC</b> (maximum total connected load not to exceed 15 amps)*	<b>Function</b>	<b>Terminals</b>	<b>UL Inductive Load</b>	<b>Relay Contact Rating Resistive Load</b>
	Gas Valve	3, 5	175 VA, 1/10 HP	10 amps
	Ignition	4	375 VA	10 amps
	Motor or Contactor	8	470 VA, 1/2 HP	16 amps
	Control Signal	A, 10, 11, 12, 13	175 VA	10 amps
<b>Output ratings for 240 VAC</b> (maximum total connected load not to exceed 15 amps)*	<b>Function</b>	<b>Terminals</b>	<b>Relay Contact Rating Resistive Load</b>	
	Valves, Ignition	3, 4, 5	5 amps	
	Motors or Contactor	8	16 amps	
	Alarm	A	5 amps	
	Controls	10, 11, 12, 13	5 amps	

<b>Approvals</b>	<ul style="list-style-type: none"> <li>• No Purge and Purge Models: Series 5602: UL listed for the USA and Canada; FM approved Series 5603: FM approved Series 5605: UL listed; FM approved</li> <li>• Modulating Models: Series 5602: UL recognized for US and Canada, must be mounted in panel; FM approved Series 5603: FM approved</li> </ul>
<b>Shipping Weight</b>	<ul style="list-style-type: none"> <li>• 1.4 kilograms (3.1 lbs) for all Veri-Flame models</li> <li>• 0.5 kilograms (1.1 lb) for Models 5602-10P &amp; 5602-10-1P bases</li> <li>• 1.2 kilograms (2.7 lbs) for Model 5602-40 base</li> </ul>
<b>Approval Information</b>	 <b>UL Listed</b> , File MP1537  <b>UL Recognized</b> , File MP1537  <b>FM Approved</b> , File 3013812
<p>*Resistive loads have inrush currents approximately the same as steady state operation. The inductive inrush current must be less than 10 times the rating. The inrush current must not be applied more than once every 15 seconds.</p>	

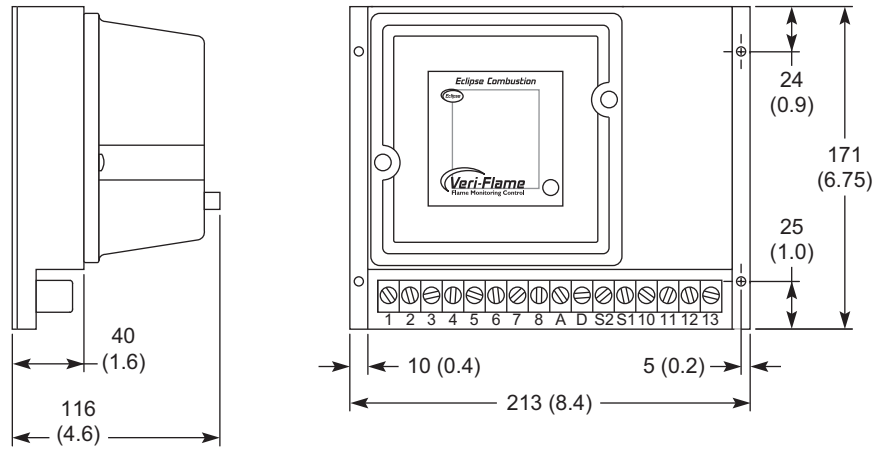
**Veri-Flame Unit/All Models**



**Veri-Flame Bases/Purge & No Purge Models**



### Veri-Flame/Modulating Model with Base Model Number 5602-40



### Remote Display Model Number 5602-DBP

